

# Simple to install

Gliderol roller doors are available in a variety of widths up to 5m wide and 3m high. Because the curtain sits behind the brickwork, they are ideal for arched and unusual garage openings.

Requiring no frame, installation is easy and provides the maximum possible garage door opening width, even for the wider vehicle.

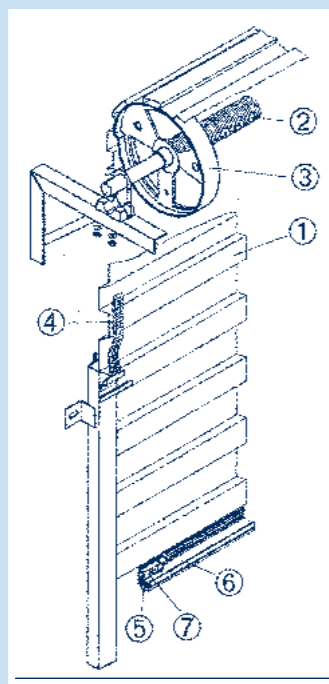
Whilst manual doors can be easily converted to automatic later, there is a significant cost saving if the unit is factory-fitted at the outset.

## Colourful choices - in a low maintenance finish.

Gliderol roller doors are currently available in eight attractive colours, but as fashions change we are constantly reviewing the range. If the colour you would like is not shown please contact us to check the latest choice. All the doors are finished in Plastisol which is an extremely hard wearing and low maintenance surface guaranteed for 10 years. A wet cloth is all that is normally needed to keep your Gliderol door looking like new.

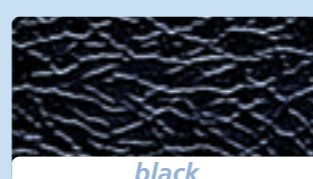
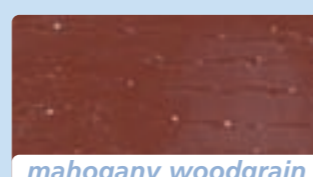
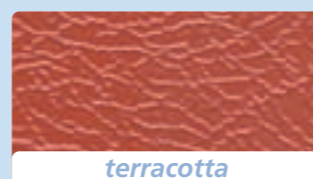


Glidermatic® doors require an extra 20mm side clearance on the side the drive unit is required to be fitted. The diagrams show the relation of Gliderol doors to the horizontal and vertical brick opening. Please note that many more widths of door are available than shown in the drawing. The Windlock System should be specified for double doors in very exposed locations. In these instances, greater side room clearance is required. For advice and information, speak to Gliderol's technical department or your supplier.



- 1 Roller door curtain
- 2 Internal spring mechanism
- 3 Hardwearing nylon drum wheel
- 4 Polyglide
- 5 Full width PVC weatherseal
- 6 Aluminium bottom rail
- 7 Door stop/roller

Colour chart available on request



The above colours are printed and may not exactly match Colorcoat.  
 New colours are under development.



Australian Design Award



Daily Mail Blue Ribbon Award



Housing Today Award



Premier's Design Award



As part of the Company's policy of continuous product development, Gliderol reserves the right to change or amend product specifications without prior notice. All guarantees are subject to the Company's conditions of sale.

## GLIDEROL GARAGE DOORS

A Division of Gliderol International Limited

**Gliderol Garage and Industrial Doors Limited**

Davy Drive  
 North West Industrial Estate  
 Peterlee, Co. Durham, SR8 2JF  
 Tel: 0191 518 0455  
 Fax: 0191 518 0548  
 E-mail: info@gliderol.co.uk

www.gliderol.co.uk

NOW WITH THE NEW STRONGER PROFILE

NOW WITH THE NEW STRONGER PROFILE

strong

quiet

reliable

secure

long lasting

award winning

space-saving

low maintenance

manual or automatic



GlideRol-a-Door®

Tried and tested throughout the world

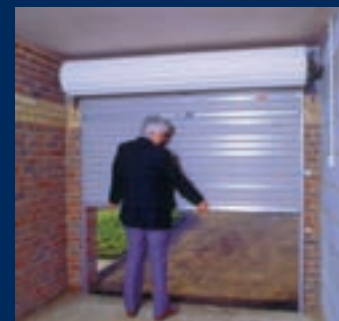




# GLIDEROL GARAGE DOORS

## The world renowned continuous sheet curtain roller doors

The advantages of a roller door over the traditional up-and-over are plain to see. They save space inside and outside the garage, are easy to install and are more secure.



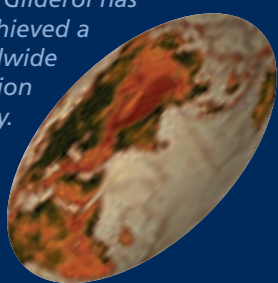
With a Gliderol roller door you also get the advantages of Gliderol's worldwide technology which gives the reassurance of knowing that Gliderol is one of the world's most experienced roller garage door manufacturers.

Gliderol doors are popular with major builders and householders alike because of Gliderol's consistent quality and superior design characteristics. All Gliderol roller doors have a six year guarantee on mechanical components and a ten year guarantee on the attractive high performance Plastisol\* finish.

Gliderol doors are available in an easy to operate manual version or with the complete luxury of touch-of-a-button automatic operation. Whatever the type or colour of Gliderol roller door you choose, it is sure to enhance the appearance and security of every home.

Gliderol has achieved a worldwide reputation for quality.

Colorcoat is a trademark of Corus plc (formerly British Steel).



strong quiet reliable secure easy to use long lasting award winning space-saving low maintenance

### Space Saving

Unlike an up-and-over garage door a GlideRol-a-Door® rolls up vertically and consequently doesn't swing out in front of the garage. This means you can park right up to the door and benefit from more hanging space in the roof of the garage as well.

### Secure

Because the GlideRol-a-Door® fits behind the brickwork opening, has full height steel guides and full width dual locking bars, it provides a very high level of security. In addition, the aluminium bottom rail is specifically designed to reinforce Gliderol doors against intruder penetration



**Weatherseal (standard)**  
Durable weatherseal on the underside of all GlideRol-a-doors® prevents leaves and other undesirable materials entering your garage from outside.



**Security (Standard)**  
The double-sided locking system is operated from the central handle and locks from inside and outside of the door. On automatic doors there is a facility to connect to a household alarm (optional extra).



**Automatic Light (Standard on Glidermatic®)**  
Illuminates your garage for up to five minutes after the Glidermatic GRD™ is activated allowing you to drive into an illuminated garage.



**External Manual Release (Optional Extra)**  
Should your garage have no personal entry door and a Glidermatic® operator is fitted, an external manual release is required to allow access in case of power failure.



**Additional Transmitters (Optional Extra)**  
Extra transmitters are readily available on request. You can use up to ten additional transmitters on each Glidermatic GRD® unit.



## – with the minimum of effort

### Smooth and Quiet Operation

Whether you choose manual or the luxury of automatic operation, a Gliderol roller door is very easy to operate. The doors incorporate a spring assisted mechanism in the roller providing precise balance and giving the user effortless operation. A fine balance between the weight of the curtain and the upward pull of the springs is maintained regardless of the position of the door.

To further enhance the smoothness and quietness of operation, the doors incorporate revolutionary 'Polyglide' running strips which guide the door with minimum friction.

### High Spec means Low Maintenance

Both the GlideRol-a-Door® itself and the roller mechanism are designed to require extremely low maintenance. Wherever possible, hard wearing nylon parts or bearings are used to reduce friction without the need for lubrication.

Doors are supplied pre-finished in durable HP200 Colorcoat pre-finished steel with Plastisol coating\*. Plastisol is a proven, very hardwearing surface which ensures that Gliderol garage doors maintain their appearance for many years without painting.

\* HP200 Colorcoat and Plastisol are registered trademarks of Corus Plc.

## – guaranteed to last

Because Gliderol doors are built to take the wear and tear of life and the weather, Gliderol are able to provide some impressive guarantees. So long as the door is reasonably maintained Gliderol doors are guaranteed against all normal conditions - in the case of electrical components for 2 years, mechanical parts for 6 years and the door finish for 10 years.



Gliderol doors are so easy to open - you'll be amazed.

The complete luxury of an automatic Gliderol door will spoil you for ever. You don't even have to get out of the security of your car to open the door.



## – at the touch of a button

### Easy to use

Glidermatic® remote control, the world's most popular remote control roller door system, allows the door to be opened or closed by means of a compact hand transmitter, which works up to 100m away, or in the garage with the wall mounted push button. Either way, the door opens and closes as smoothly and quietly as you like.

### Security

The unique rolling code circuitry ensures fail-safe security and eliminates the risk of another handset using the same code.

The Glide-A-Code® transmitter, using a UHF frequency, transmits a different code after every operation. Each time the handset and the control box move on to a new setting from one of two billion codes. Not surprisingly the Glide-A-Code® handset is one of the most secure available anywhere in the world and ensures that the operator will not be activated by another transmitter.

### Safety

The Glidermatic® drive unit automatically reverses should the downward movement of the door be restricted.

### Quiet Operation

As the Glidermatic® drive unit is housed entirely within the door-roll, noise emissions are substantially reduced resulting in a quiet and smoother performance, which also provides greater space saving in the garage.

